

財源机械五金贸易  
**CHYE GUAN TRADING**

No. 82 & 84, Jalan Suria 2, Taman Malim Jaya, 75250 Melaka.

Tel: 06- 3363480, 06-3363482 Fax: 06-3363480

Email: chyeguan82@gmail.com

# HYDRAULIC SERIES

## JACK STAND



TL2003-1



TL2003-4

Code	<b>2001</b>	<b>2002</b>
Model	<b>TL2003-1</b>	<b>TL2003-4</b>
Capacity	3 Ton	6 Ton
Min. Height (mm)	285	395
Max. Height (mm)	425	605
Net Weight (kg)	5	9.7



T43002

T46002

T412002

Code	<b>2003</b>	<b>2004</b>	<b>2005</b>
Model	<b>T43002</b>	<b>T46002</b>	<b>T412002</b>
Capacity	3 Ton	6 Ton	12 Ton
Min. Height (mm)	285	395	460
Max. Height (mm)	425	605	720
Net Weight (kg)	6.4	12.8	27.3

財源机械五金贸易

CHYE GUAN TRADING

No. 82 & 84, Jalan Suria 2, Taman Malim Jaya, 75250 Melaka.

Tel: 06- 3363480, 06-3363482 Fax: 06-3363480

Email: chyeguan82@gmail.com

# HYDRAULIC SERIES

## ENGINE STAND



TL1110-3  
TL1110-4



TL1110-5

Code	2026	2027	2028
Model	TL1110-3	TL1110-4	TL1110-5
Capacity	1250 lbs	1500 lbs	2000 lbs
Operating Height (mm)	850	870	840
Net Weight (kg)	27	34	38

## ENGINE CRANE (ECONOMIC)

- Designed to raise, lower and transport automobile engines, transmissions, differentials and other heavy loads with minimal effort.



TL1001-2

Code	2029
Model	TL1001-2
Capacity	2 Ton
Lifting Height (mm)	2380
Net Weight (kg)	80

財源机械五金贸易  
CHYE GUAN TRADING

No. 82 & 84, Jalan Suria 2, Taman Malim Jaya, 75250 Melaka.  
Tel: 06- 3363480, 06-3363482 Fax: 06-3363480  
Email: chyeguan82@gmail.com

# HYDRAULIC SERIES

## HYDRAULIC BOTTLE JACK



Code	Model	Capacity (Ton)	Min. Height (mm)	Lifting Height (mm)	Adjusting Height (mm)	Net Weight (kg)
2050	TKM-3	3	194	118	60	3.6
2051	TKM-5	5	216	127	70	4.8
2052	TKM-10	10	230	150	80	6.8
2053	TKM-15	15	230	150	80	8.9
2054	TKM-20	20	242	150	60	11.5
2055	TKM-30	30	285	180	---	21.0

財源机械五金贸易  
CHYE GUAN TRADING

No. 82 & 84, Jalan Suria 2, Taman Malim Jaya, 75250 Melaka.  
Tel: 06- 3363480, 06-3363482 Fax: 06-3363480  
Email: chyeguan82@gmail.com

# HYDRAULIC SERIES

## SERVICE JACK

### Intended use:

- Lift tool for repairing and maintaining vehicle car and so on.



Code	Model	Capacity	Min. Height (mm)	Max. Height (mm)	Net Weight (kg)
2100	T82000S	2 Ton	130	345	9
2101	T82251	2 ¼ Ton	130	490	34
2102	T83001	3 Ton	145	520	39
2103	T83502	3 ½ Ton	145	500	38

## LOW PROFILE SERVICE JACK



Code	Model	Capacity	Min. Height (mm)	Max. Height (mm)	Net Weight (kg)
2104	T830018	3 Ton	89	457	34.8

財源机械五金贸易

CHYE GUAN TRADING

No. 82 & 84, Jalan Suria 2, Taman Malim Jaya, 75250 Melaka.

Tel: 06- 3363480, 06-3363482 Fax: 06-3363480

Email: chyeguan82@gmail.com

# HYDRAULIC SERIES

## LOW PROFILE SERVICE JACK (DOUBLE PUMP)

### Intended use:

- Lift tool for repairing and maintaining vehicle car and so on.

### Features:

- When unload and light loading, lift speed faster than usual loading assembling overload protecting instrument for safety and convenient servicing.
- Min. Height to 85 mm suitable for lifting low profile work piece.



KSD3

Code	Model	Capacity	Min. Height (mm)	Max. Height (mm)	Net Weight (kg)
2105	KSD3	3 Ton	95	490	47.5

## LONG SERVICE JACK



Code	Model	Capacity	Min. Height (mm)	Max. Height (mm)	Net Weight (kg)
2106	TR8056A	5 Ton	150	560	95
2107	TR8106A	10 Ton	160	560	145

# HYDRAULIC SERIES

## HYDRAULIC PRESS



TL0500-3



TL0500-4



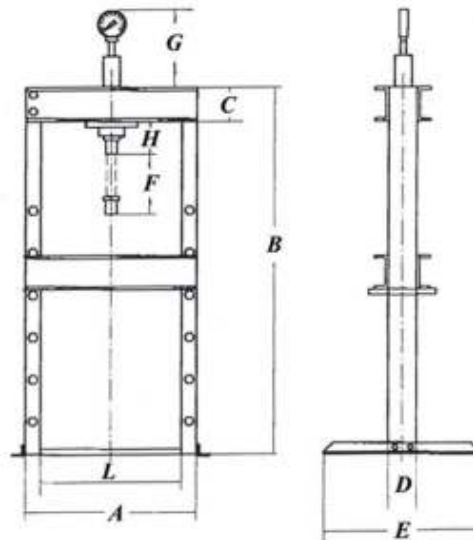
TL0500-6

### Intended use:

- Straightening, bending and pressing.
- Removing and installing gears, bearings and bushes.

Code	A (mm)	B (mm)	C (mm)	D (mm)
2175 / 76	600	1570	120	100
2177	700	1580	160	160
2178	850	1600	180	180

Code	E (mm)	F (mm)	G (mm)	H (mm)	L (mm)
2175 / 76	600	145	268	135	494
2177	700	160	240	116	540
2178	700	210	225	210	650



Code	Model	Capacity	Ram Stroke (mm)	Max. Working Distance (mm)	Net Weight (kg)
2175	TL0500-3	20 Ton	145	1035	50
2176	TL0500-3(S)	20 Ton	145	1035	50
2177	TL0500-4	30 Ton	150	820	150
2178	TL0500-6	50 Ton	235	885	235

# HYDRAULIC SERIES

## HYDRAULIC PRESS

### Intended use:

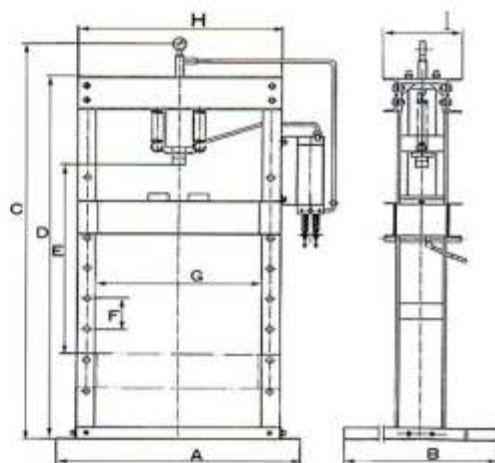
- Straightening, bending and pressing. Removing and installing gears, bearings and bushes.

### Features:

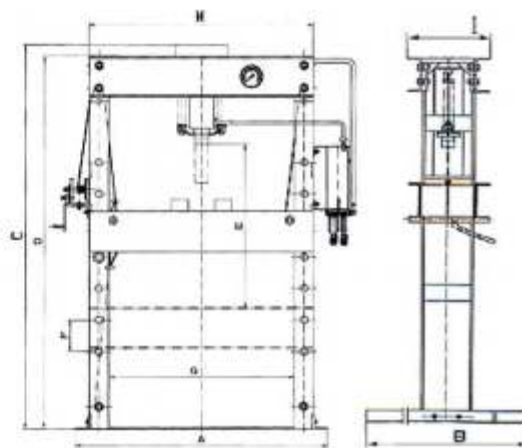
- "H" type structural steel frame, with high stability can be dismantled for store or transportation.
- With winch and pulley, press bed can be lifted or lowered easily.
- Oil cylinder is highly sealed, fast lifting. Pressure gauge on the eye-catching place of frame, can observe pressure directly and easily.
- Height limit valve, when the piston rod reaches its limit, stop automatically.



HYC30



HYCQ50



Code	A (mm)	B (mm)	C (mm)	D (mm)	E (mm)	F (mm)	G (mm)	H (mm)	I (mm)
2179	910	800	1800	1630	885	125	620	760	301
2180	1120	800	1720	1670	780	140	830	990	370

Code	Model	Capacity	Ram Stroke (mm)	Max. Range (mm)	Net Weight (kg)
2179	HYC30	30 Ton	180	680	142
2180	HYCQ50	50 Ton	---	780	332